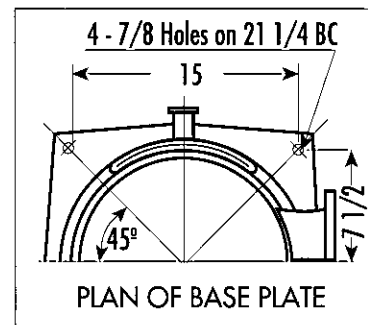
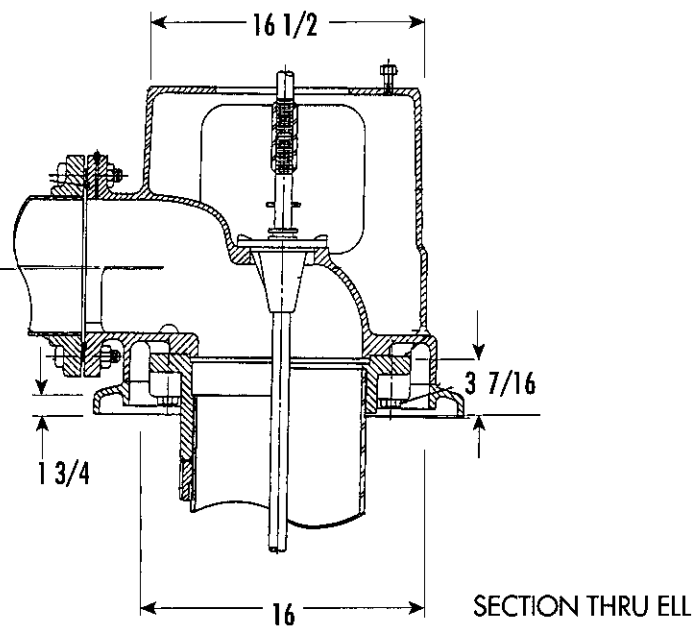
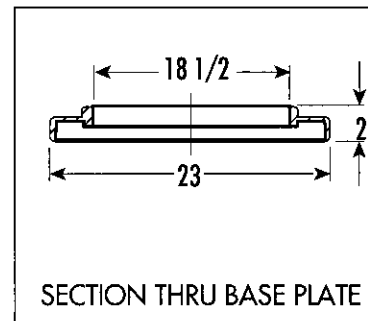
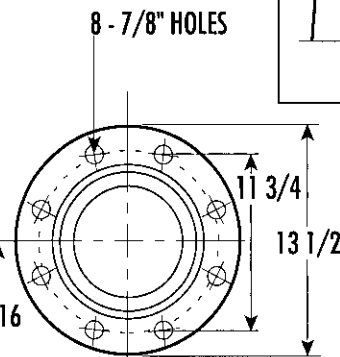
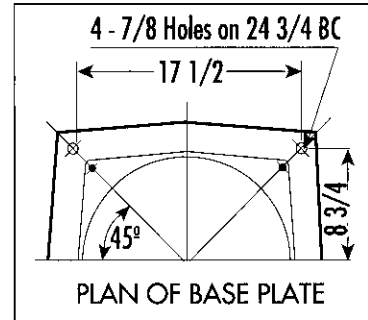
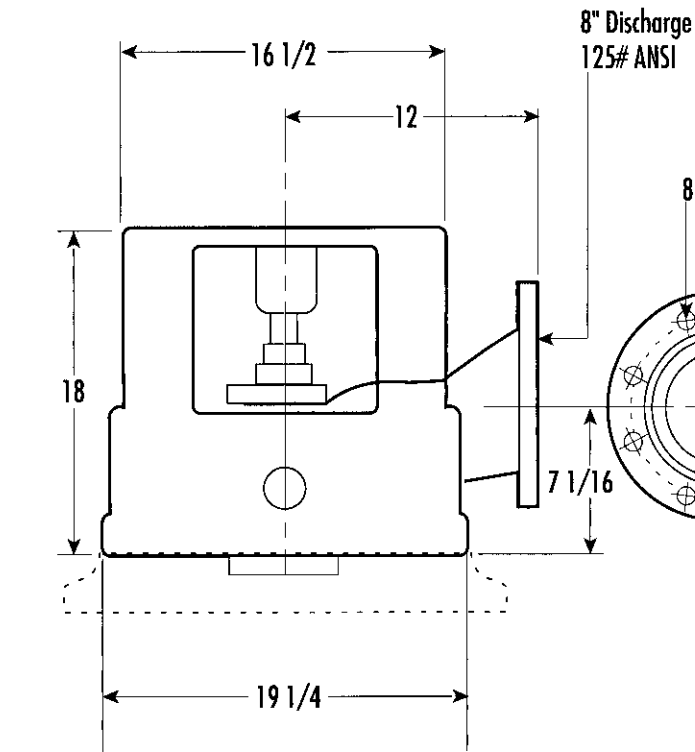


**ENGINEERING data**  
**DISCHARGE HEAD**

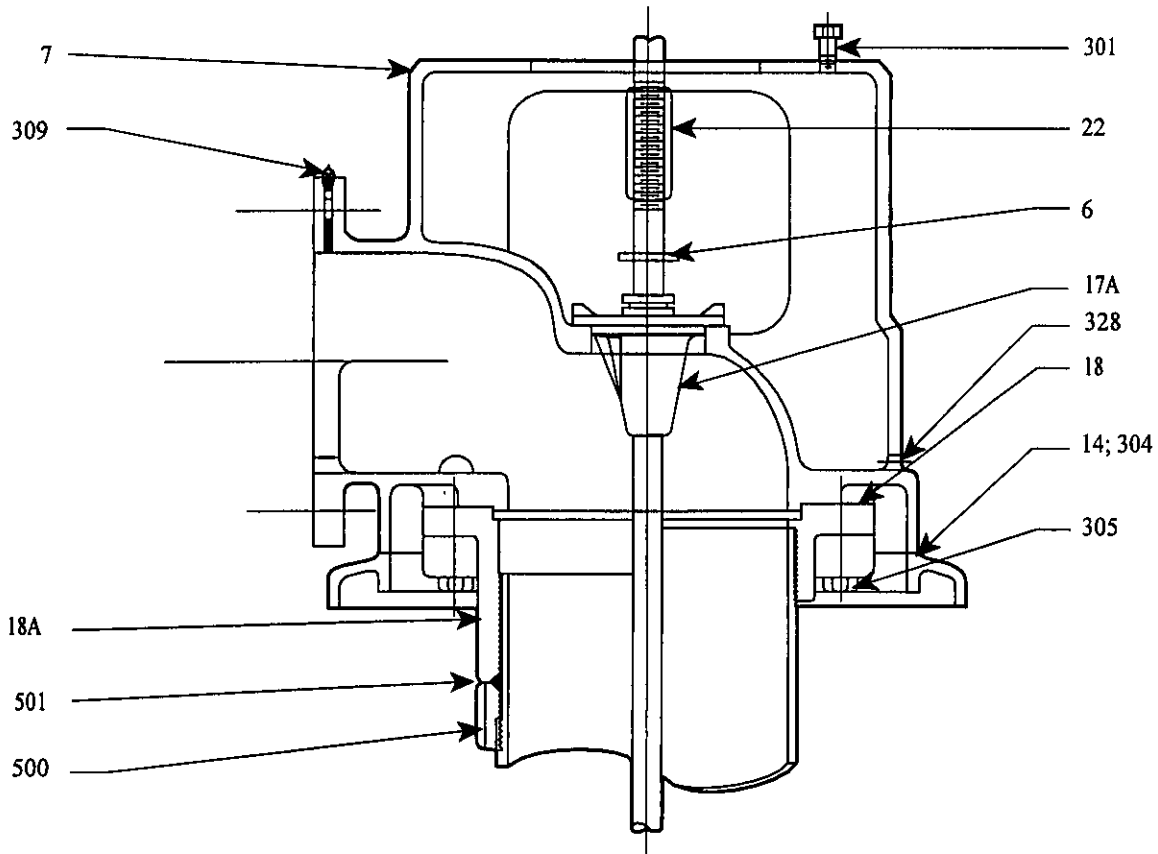
**TYPE RF 816 CAST IRON DISCHARGE HEAD**

Note: Use Dimensions Shown only when certified by factory





## Cast Iron Discharge Head Assembly Type RF816 Open Line Shaft



Item No.	Part Name	Material	
		Standard	Optional
7A	Discharge Head Assembly	-----	
6	Water Slinger	Rubber	
7	Discharge Head	C.I. CL 30	
14	Soleplate	C.I. CL 30	
17A	Stuffing Box Assembly	See Dwg No. _____	
18	Top Col Flange, Butt	C.I. CL 30	
18A	Top Col Flange, Adj	Ductile C.I.	
22	Head Shaft Coupling	Carbon Steel	
301	Fastener, Driver / Head	Carbon Steel	
304	Cap Screw, Head / Soleplate	Carbon Steel	
305	Cap Screw, Top Col Flg/Head	Carbon Steel	
309	Plug, Gauge Conn - 1 / 4" NPT	Cast Iron	
328	Drain Conn.		
500	Packing Ring	C.I.CL.30	
501	Lampwick Packing	-----	

CROSS-SECTIONAL DRAWING

DRAWING NO. \_\_\_\_\_

DATE: \_\_\_\_\_