



A Marley Company
LAYNE & BOWLER, INC.
 MEMPHIS, TN 38108 USA

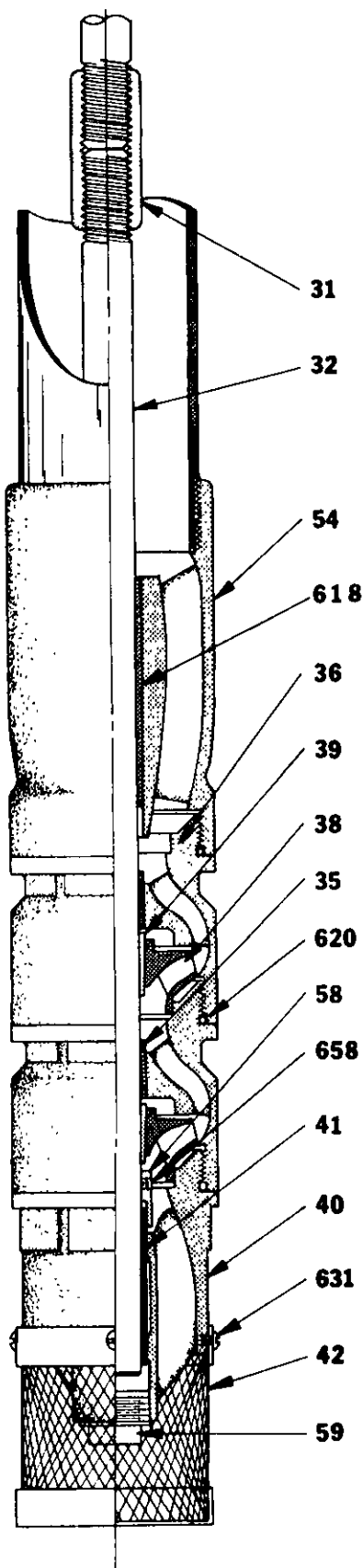
SECTIONAL DRAWING

4R SHORT COUPLED BOWL

OPEN LINE SHAFT

THREADED DISCHARGE CONN.

SECTION 4100
 DRWG. NO. 8511-B06A
 DATE Nov. 1, 1978
 SUPERSEDES June '77



NO ITEM	PART NAME	MATERIAL	
		STD	OPTIONAL
660	BOWL ASSY	----	
* 31	IMP. SHAFT COUPLING	STEEL	
32	IMPELLER SHAFT	410SS	
35	BEARING, INT.	BRONZE	
36	INTERMEDIATE	C. I. CL30	
38	IMPELLER	BRONZE	
39	COLLET	STN STL	
40	SUCTION BELL	C. I. CL30	
41	BEARING, SUCTION	BRONZE	
◆ 42	STRAINER	STEEL	
◆ 54	DISCHARGE NOZZLE	C. I. CL30	
■ 58	SAND COLLAR	BRONZE	
■ 59	SUCTION PLUG	C. I.	
618	BEARING, DISCH. NOZZ.	BRONZE	
△ 620	O-RING, BOWL	RUBBER	
631	MACH SCREW, STRAINER	STN STL	
658	SET SCREW, COLLAR	STN STL	

* NOT FURNISHED FOR DIRECT CONNECT UNITS.

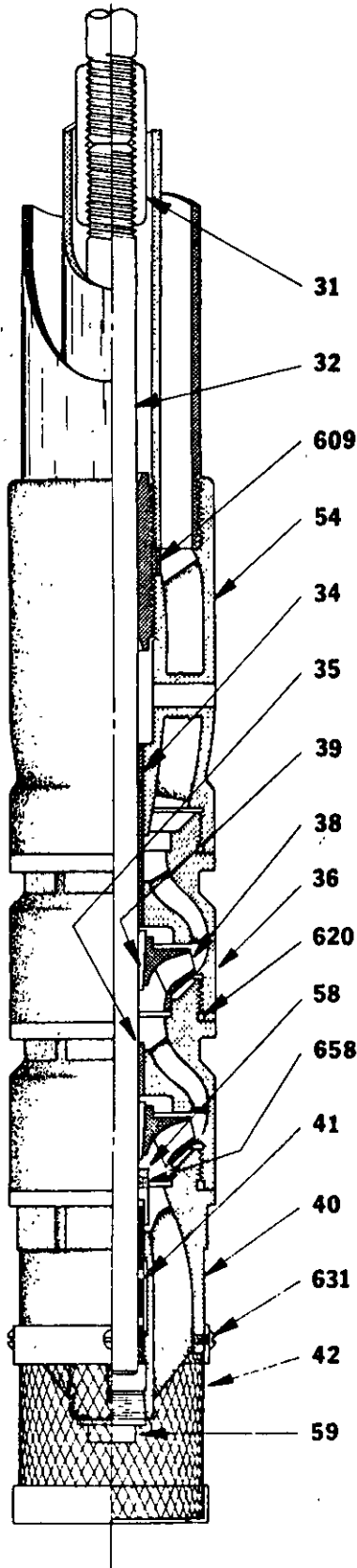
◆ OPTIONAL-FURNISHED ONLY WHEN SPECIFIED.

■ NOT FURNISHED WHEN AN OPTIONAL SYNTHETIC SUCTION BEARING MATERIAL IS SPECIFIED.

△ OPTIONAL-FURNISHED WHEN SPECIFIED OR WHEN REQUIRED DUE TO BOWL PRESSURE LIMITATIONS.

SECTIONAL DRAWING
4 R SHORT COUPLED BOWL
ENCLOSED LINE SHAFT
THREADED DISCHARGE CONN.

SECTION 4100
 DRWG. NO.8511-B12A
 DATE Nov. 1, 1978
 SUPERSEDES



ITEM NO	PART NAME	MATERIAL	
		STD	OPTIONAL
660	BOWL ASSY	-----	
31	IMP. SHAFT COUPLING	STEEL	
32	IMPELLER SHAFT	410SS	
34	BEARING, TOP INT.	BRONZE	
35	BEARING, INT	BRONZE	
36	INTERMEDIATE	C I CL30	
38	IMPELLER	BRONZE	
39	COLLET	STN STL	
40	SUCTION BELL	C I CL30	
41	BEARING, SUCTION	BRONZE	
◆ 42	STRAINER	STEEL	
54	DISCHARGE NOZZLE	C I CL30	
■ 58	SAND COLLAR	BRONZE	
■ 59	SUCTION PLUG	C I	
609	MAIN BEARING	BRONZE	
△ 620	O'RING, BOWL	RUBBER	
631	MACH SCREW, STRAINER	STN STL	
658	SET SCREW, COLLAR	STN STL	

◆ OPTIONAL - FURNISHED ONLY WHEN SPECIFIED

■ NOT FURNISHED WHEN AN OPTIONAL SYNTHETIC SUCTION BEARING MATERIAL IS SPECIFIED.

△ OPTIONAL - FURNISHED WHEN SPECIFIED OR WHEN REQUIRED BY BOWL PRESSURE LIMITATIONS.