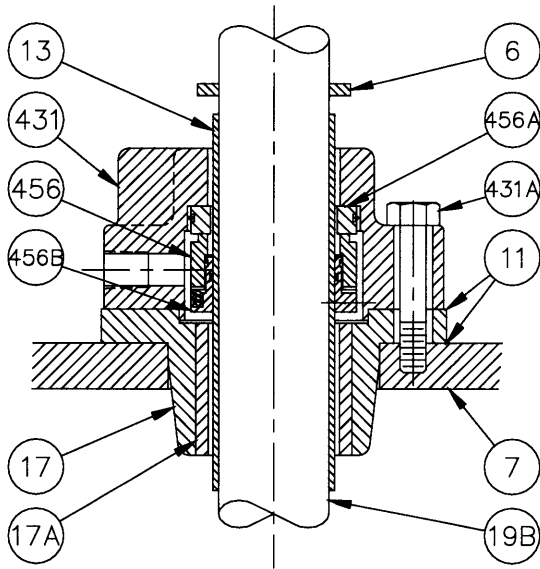


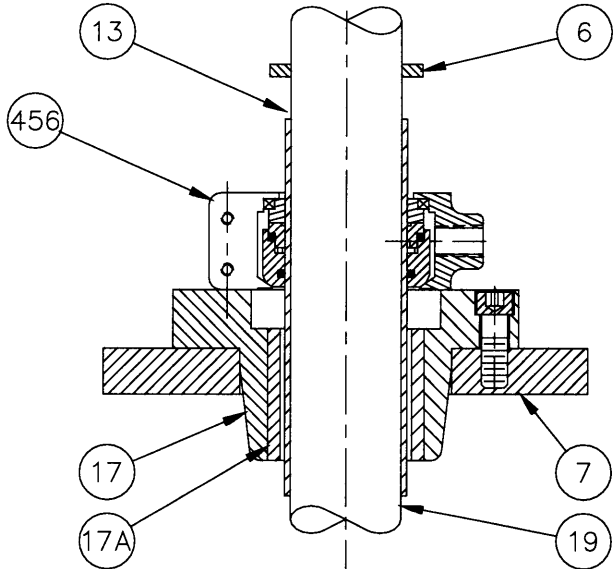
KEYED SHAFT COUPLINGS



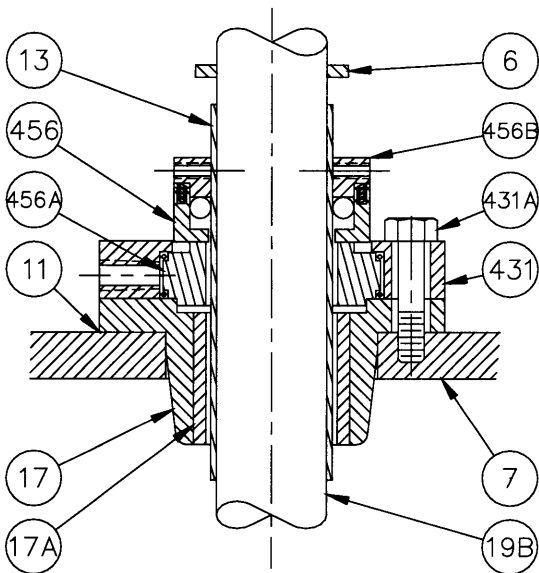
DWG NO	1100-CPLG	REV NO	0
--------	-----------	--------	---



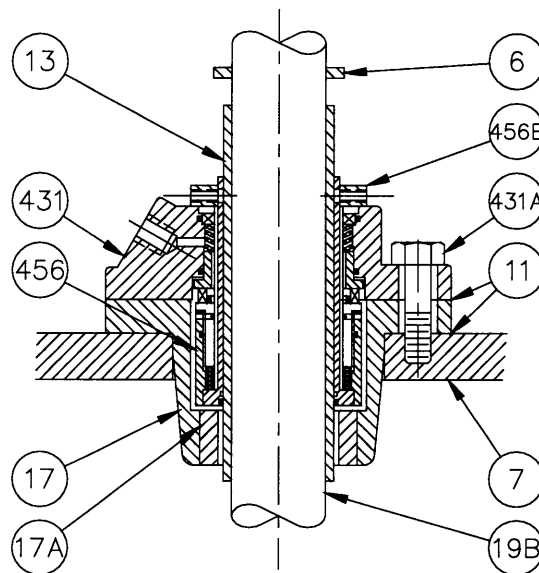
BASIC MECHANICAL SEAL ASSEMBLY



CARTRIDGE OR SPLIT MECHANICAL SEAL ASSEMBLY



OUTSIDE MECHANICAL SEAL ASSEMBLY



CARTRIDGE MECHANICAL SEAL ASSEMBLY

MECHANICAL SEALS



DWG NO 1100A081

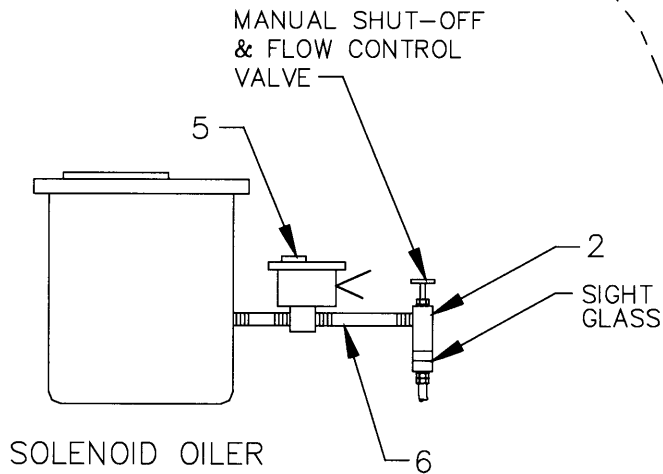
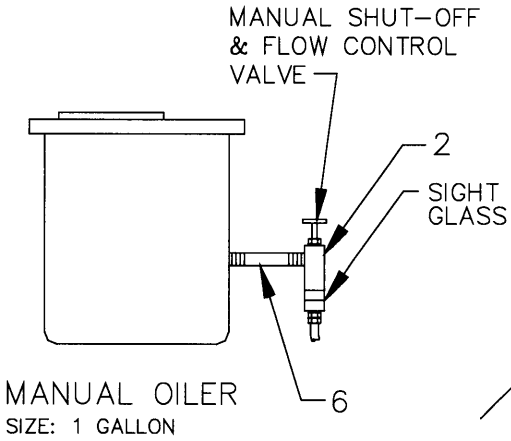
REV NO 0

MECHANICAL SEALS MATERIAL SPECIFICATIONS

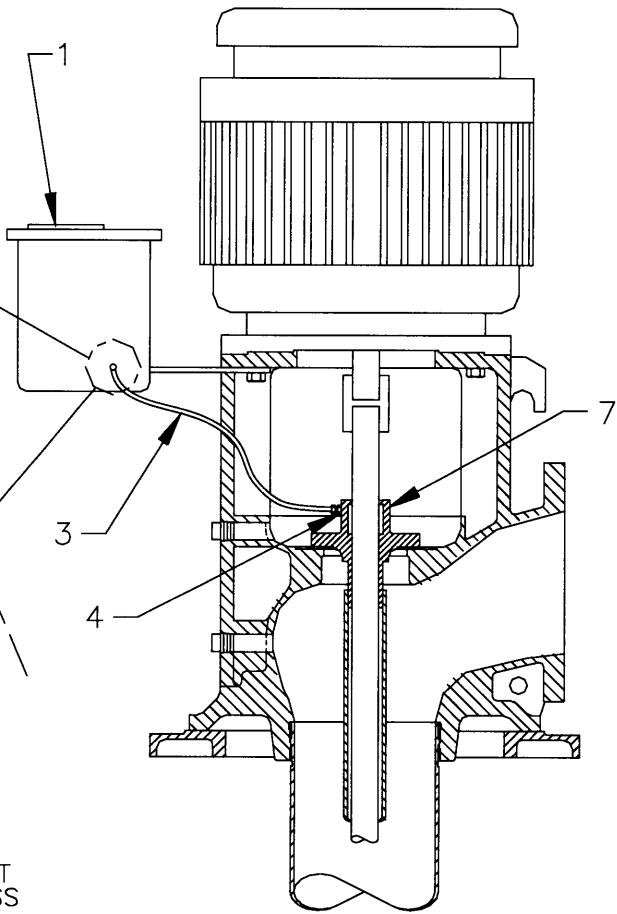
Item	Description	Material	Specification
6	Water Slinger	Rubber	Neoprene
7	Discharge Head	Cast Iron	ASTM A48 Class 30
8	Gland Bolt	Stainless Steel	18-8
8A	Gland Nut	Stainless Steel	18-8
9	Packing Box Gland	Cast Iron	ASTM A48 Class 30
11	Packing Box Gasket	Tag Board	ASTM D1170 GRADE 3111
13	Top Shaft Sleeve	Stainless Steel	AISI 304
15	Packing	Graphited Synthetic	Commercial
17	Packing Box	Cast Iron	ASTM A48 Class 30
17A	Packing Box Bushing	Bronze	ASTM B505 Alloy 932
19B	Top Shaft	Steel	AISI 1045
None	Gland Nut Lockwasher	Steel	Commercial
431A	Packing Box Capscrews	Steel	SAE J429 Grade 2
431	Mechanical Seal Gland	Cast Iron	ASTM A48 Class 30
431B	Lip Seal	Commercial	Commercial
456	Rotating Seat	As Required	As Required
456A	Stationary Seat	As Required	As Required
456B	Retainer	As Required	As Required

Reference: Assembly Drawing 1100A081.

THIS PAGE LEFT BLANK INTENTIONALLY



ELECTRICAL DATA:
PHASE: SINGLE
HERTZ: 60
VOLTAGE: 115, 208, 230, 460, 230-460
DC VOLTAGE: 12, 24
CONTACTS: NORMALLY CLOSED-ENERGIZE OPEN

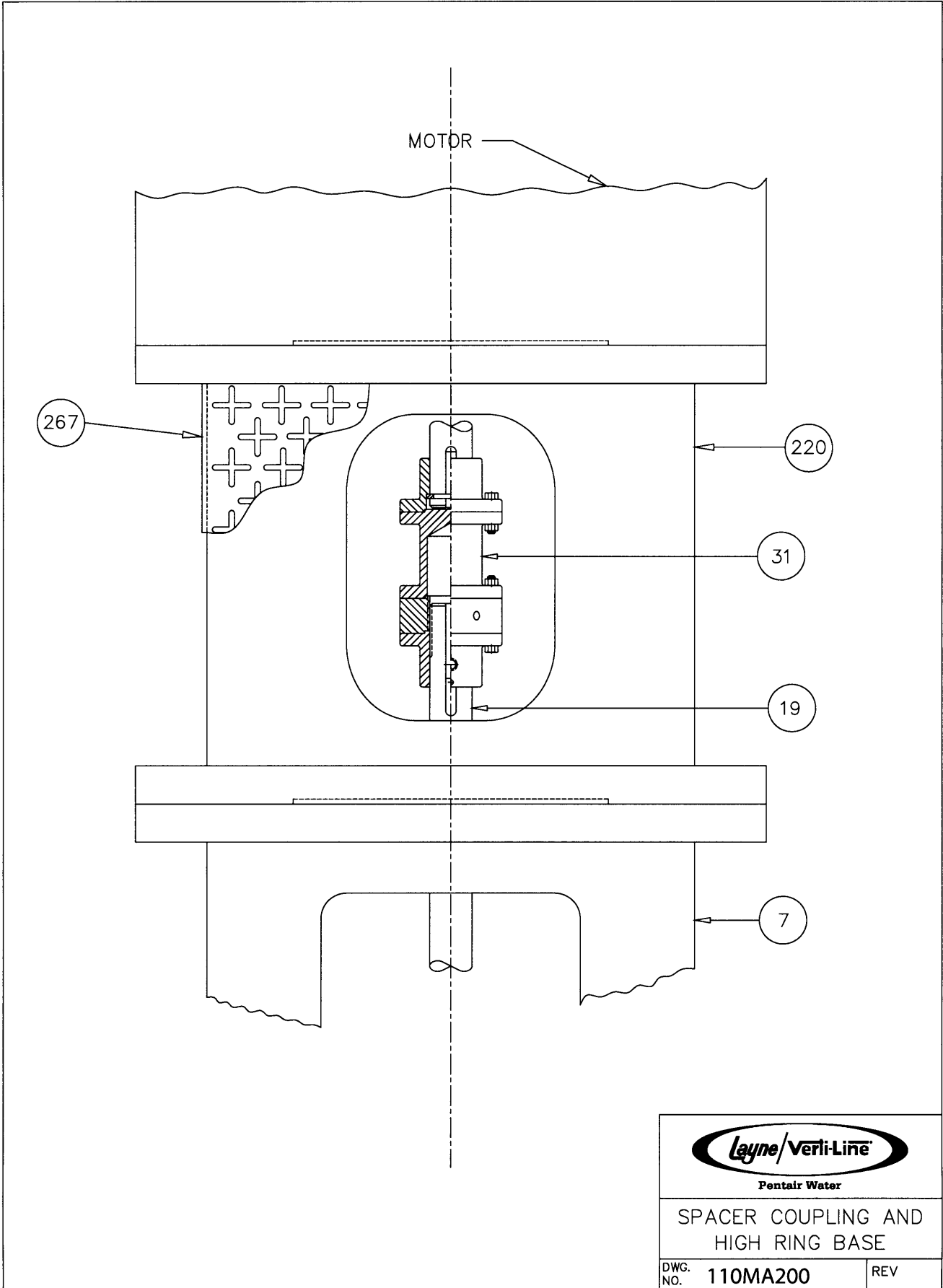


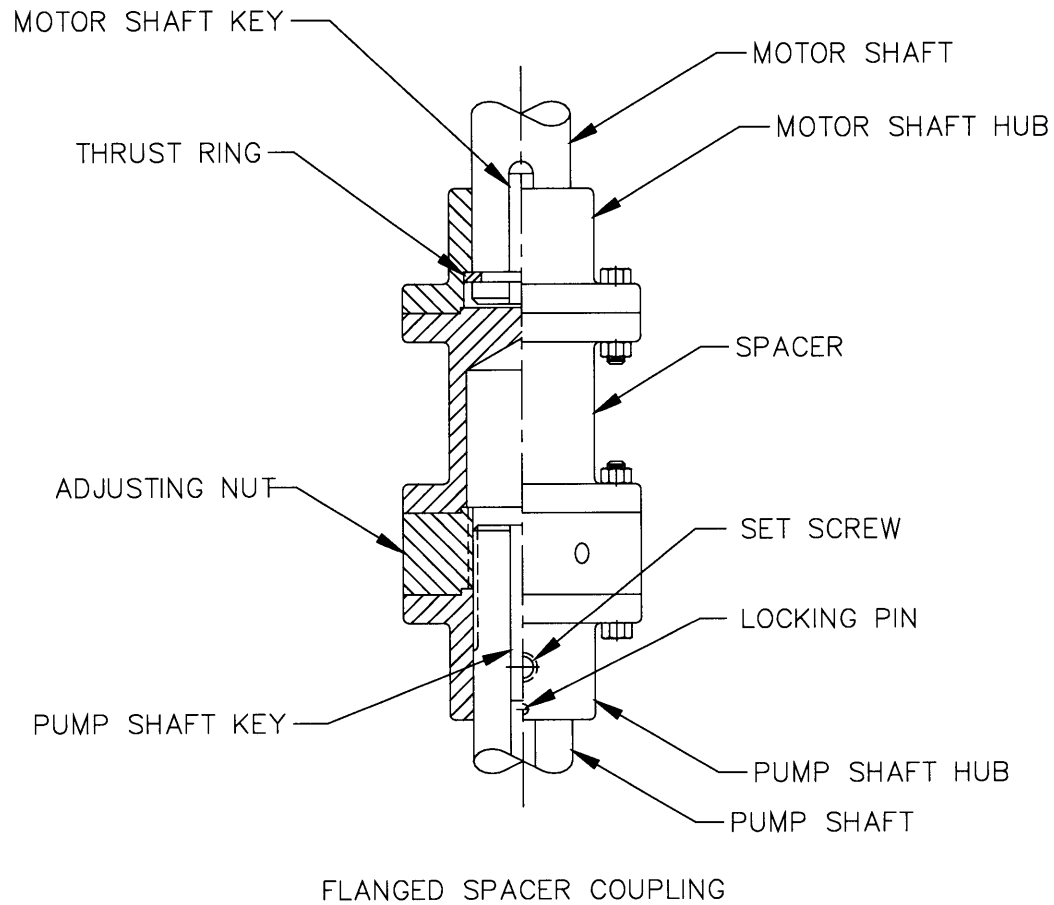
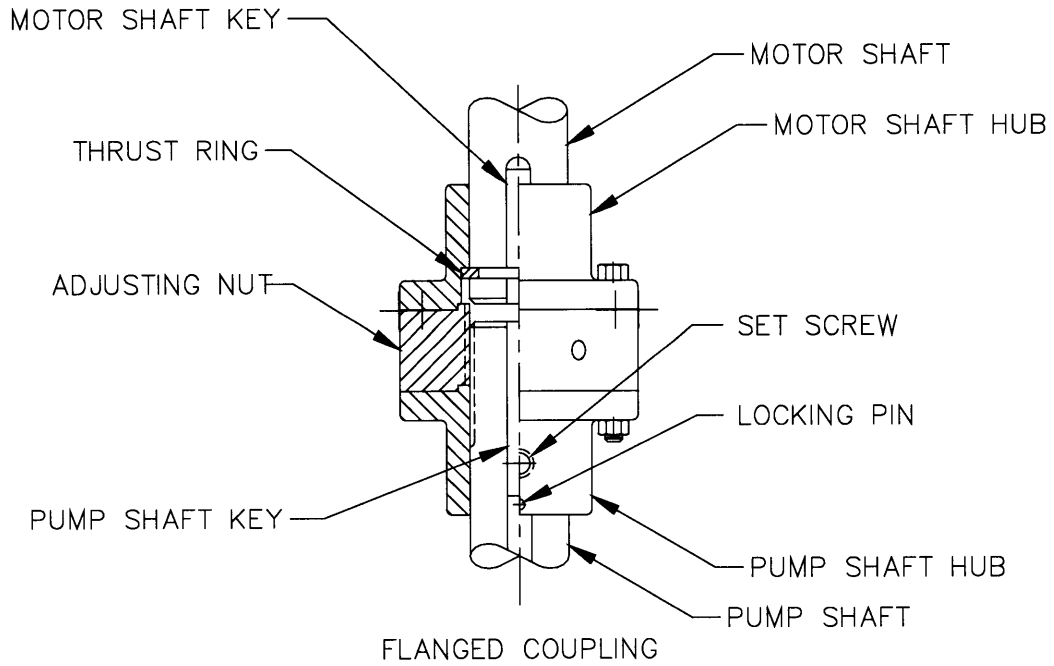
BILL OF MATERIAL LIST			
REF	DESCRIPTION	MATERIAL	SPECIFICATION
1	OILER, RESERVOIR & BRACKET	ALUMINUM	COMMERCIAL
2	OIL DRIPPER ASSEMBLY	PURCHASED	COMMERCIAL
3	COPPER TUBING 1/4 X 24" LG.	COPPER	ASTM B280
4	COMPRESSION FITTING, 1/4"	BRASS	COMMERCIAL
5	SOLENOID VALVE	PURCHASED	COMMERCIAL
6	PIPE NIPPLE 1/8 X 3/4	STEEL	ASTM A120
7	PIPE PLUG 1/4	MALLEABLE IRON	COMMERCIAL

ASSEMBLY
OILER WITH ENCLOSED LINESHAFT



DWG NO 110MA100 REV NO 0





VSS MOTOR COUPLINGS



DWG NO	1100A091	REV NO	0
--------	----------	--------	---

NOTES